

# OSBORNE REFRIGERATORS



## Retail Chiller Range



The Osborne **eCold** range...  
...saving pennies and the planet.

Osborne Refrigerators cabinets are designed to be good for your pocket as well as the environment. Low-voltage fans and LED lighting put very little waste heat into the cabinet and improved insulation and efficient compressors maximise cooling performance while using less energy. *eCold* cabinets are also designed to be virtually maintenance-free wherever possible, with no fluorescent tubes to change, and condensers that either never require unblocking or have easy to clean filters.

Osborne Refrigerators Ltd have been established at our West Sussex base for more than 50 years and we are the leading British manufacturer of refrigerators designed for the chilling and storage of wine and cold beverages. As well as our traditional range of cabinets, which are specified by leading breweries, drinks manufacturers and leisure companies across the world, we also produce a range of high quality cabinets ideal for use in retail environments.

All our refrigerators use CFC free polystyrene insulation and can be efficiently recycled at the end of their life. They are also available with a choice of refrigerants.

The Osborne range is always evolving, due to our commitment to constantly improve our products and also in response to specific customer requirements. We have built an enviable reputation for the quality and reliability of our refrigerators and we will never stop working to maintain that reputation.

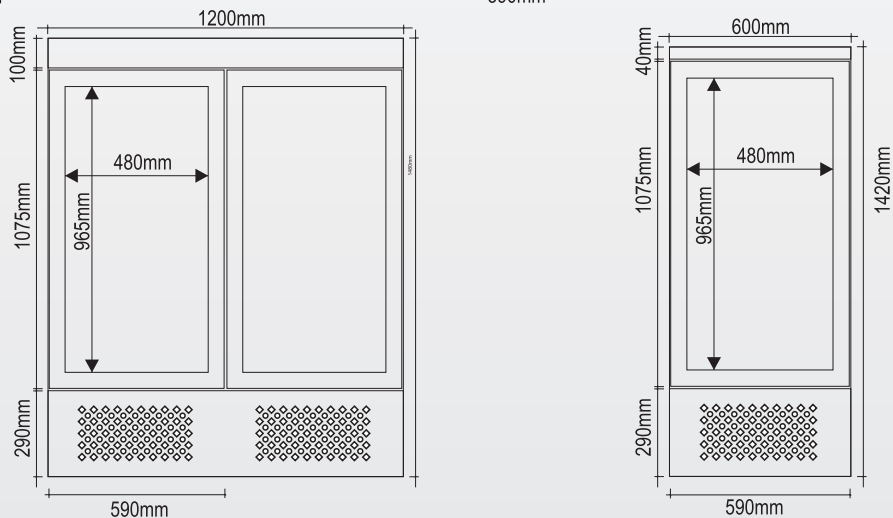
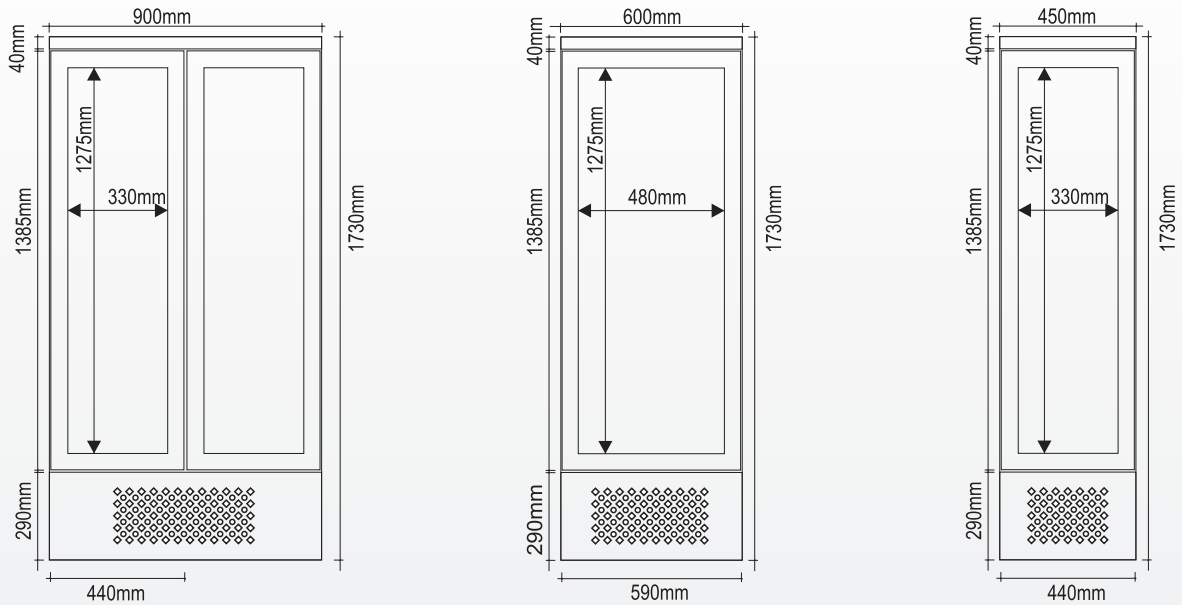
Our standard glass door cabinets are available in selection of widths and heights, to suit the widest variety of situations. We can also offer two widths of compact open fronted cabinets for impulse products and pass-through cabinets allowing either stocking from the rear or customer access to both sides. Designed primarily for the storage and display of bottled beverages, these cabinets are also suitable for foodstuffs. They are manufactured from rust resistant zinc-coated steel with a hard wearing powder-coat finish or brushed stainless steel, and the interiors are either beaten "stucco" aluminium or stainless steel. The interior cooling is fan assisted for enhanced performance and the condensers are fan-cooled for increased efficiency. Insulation is environmentally friendly polystyrene and refrigerant is hydrocarbon R600a on most models. The doors, where fitted, are double glazed and hinged. Locks are standard on most models. Black or silver painted finish is standard but a wide variety of RAL and Pantone colours are available (depending on order quantity). The optional stainless steel is a brushed finish. An additional top-mounted lightbox is also available for all models, great for product branding.

# Upright eCold Cabinet Range



	Model 350ES	Model 265ES	Model 195ES	Model 460ES	Model 230ES
H (mm)	1730	1730	1730	1480	1420
W (mm)	900	597	450	1200	597
D (mm)	550	550	550	550	550
Shelves	5	5	5	4	4
Cap. (ltr)	420	267	190	430	213
Bottles*	403	240	180	410	192
<b>Technical</b>					
Compressor	NLE10KK.4	TLX8.7KK.3	TLX8.7KK.3	NLE10KK.4	TLX8.7KK.3
Refrigerant	R600a - 105 grams	R600a - 82 grams	R600a - 70 grams	R600a - 105 grams	R600a - 82 grams
Power Rating	150W	140W	120W	150W	140W

\*Bottle capacities are based on 330ml 236mm high beer bottles.

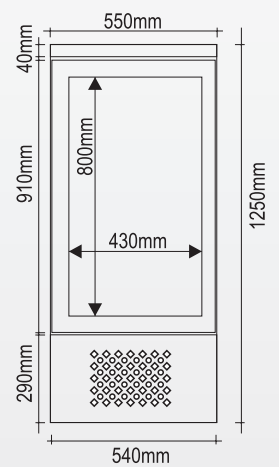
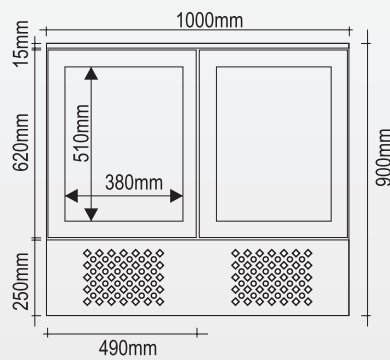
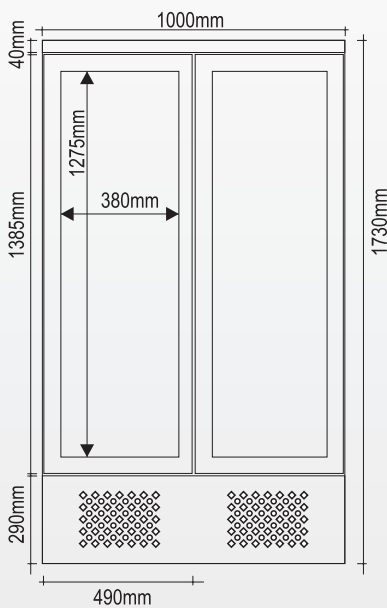


# Pass Through Cabinet Range

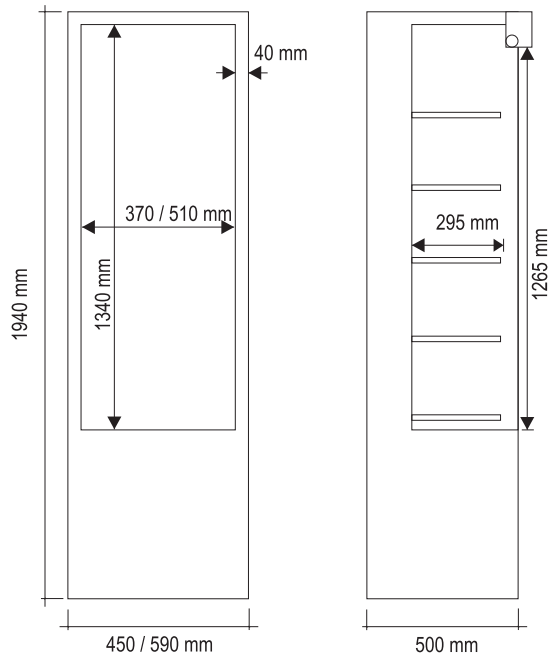


	Model 7050S	Model 275ES	Model 275ES Slim	Model 125P
H (mm)	1730	1730	1730	1250
W (mm)	900	597	450	550
D (mm)	550	550	550	680
Shelves	5	5	5	3
Cap. (ltr)	420	267	190	150
Bottles*	403	240	180	135
<b>Technical</b>				
Compressor	NLE10KK.4	TLX8.7KK.3	TLX8.7KK.3	TLX8.7KK.3
Refrigerant	R600a - 105 grams	R600a - 82 grams	R600a - 70 grams	R600a - 59 grams
Power Rating	150W	140W	120W	140W
	(per system - 2 fitted)			

\*Bottle capacities are based on 330ml 236mm high beer bottles.



# Open Fronted Cabinet Range



OD600

OD450

Model Number

## Physical Info

Height (mm)	1940	1940
Width (mm)	600	450
Depth (mm)	500	500
Nett Shelf Area (m <sup>2</sup> )	0.75	0.53
Gross Volume Packed (ltr)	840	660
Gross Weight Packed (kg)	90	80

## Technical Info

Voltage (V)	220-240	220-240
Frequency (Hz)	50	50
Rated Power (W)	1180	1150
Compressor	Danfoss SC15G	Danfoss SC15G
Refrigerant Type	R134a	R134a
Refrigerant Charge (g)	450	330



OSBORNE REFRIGERATORS LTD

Rose Green Road

Bognor Regis

West Sussex

PO21 3EG

United Kingdom

Tel +44 1243 267711

Fax +44 1243 265853

sales@osborne-ref.co.uk

www.osborne-ref.co.uk